


SAC-4P-M12MS/ 0,3-800/M12FR

Order No.: 1457089

<http://eshop.phoenixcontact.de/phoenix/treeViewClick.do?UID=1457089>

Sensor/Actuator cable, 4-position, PUR halogen-free, welding sputter-resistant, highly flexible, Gray RAL 7001, Plug, straight M12, A-coded, on Socket, angled M12, A-coded, Cable length: 0.3 m

Commercial data

| | |
|----------------|--|
| GTIN (EAN) |  4 046356 593441 |
| Note | Made-to-order |
| sales group | D111 |
| Pack | 1 pcs. |
| Customs tariff | 85444290 |

Product notesWEEE/RoHS-compliant since:
07/06/2010

<http://www.download.phoenixcontact.com>
Please note that the data given here has been taken from the online catalog. For comprehensive information and data, please refer to the user documentation. The General Terms and Conditions of Use apply to Internet downloads.

Technical data**General data**

| | |
|-----------------------|--------|
| Rated current at 40°C | 4 A |
| Rated voltage | 250 V |
| Number of positions | 4 |
| Volume resistance | ≤ 5 mΩ |

| | |
|---------------------------------|--|
| Insulation resistance | ≥ 10 MΩ |
| Length of cable | 0.3 m |
| Ambient temperature (operation) | -25 °C ... 90 °C (Male connector / female connector) |

General characteristics

| | |
|-----------------------------|---|
| Standards/regulations | M12 connector IEC 61076-2-101 |
| Coding | A - standard |
| Surge voltage category | II |
| Pollution degree | 3 |
| Degree of protection | IP65/IP68/IP69K |
| Insertion/withdrawal cycles | ≥ 100 |
| Contact material | CuSn |
| Contact surface material | Ni/Au |
| Contact carrier material | TPU GF |
| Material of grip body | TPU, hardly inflammable, self-extinguishing |
| Material, knurls | Zinc die-cast, (nickel-plated) |
| Sealing material | NBR |
| Status display | No |

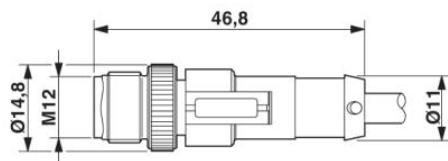
Conductor data

| | |
|------------------------------------|---|
| Cable type | PUR halogen-free, highly flexible, resistant to welding beads, gray |
| Cable type (abbreviation) | 800 |
| Cable abbreviation | Li12YYTPE-HF |
| Conductor cross section | 0.34 mm ² |
| AWG signal line | 22 |
| Conductor structure signal line | 42x 0.10 mm |
| Core diameter including insulation | 1.3 mm ±0.05 mm |
| External cable diameter | 4.8 mm ±0.2 mm |
| Wire colors | Black, brown, blue, white |
| External sheath, color | Gray RAL 7001 |
| Insulation resistance | ≥ 20 MΩ*km |
| Conductor resistance | Approx. 53 Ω/km |
| Nominal voltage, conductor | 300 V |
| Test voltage, conductor | 2000 V |
| Overall twist | 4 wires, twisted |
| Outer sheath, material | PUR |

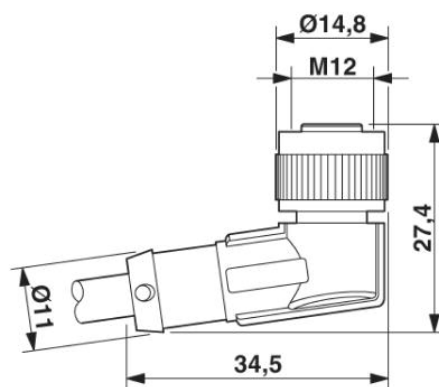
| | |
|---|---|
| Material conductor insulation | PES |
| Conductor material | Bare Cu litz wires |
| Smallest bending radius, fixed installation | 24 mm |
| Smallest bending radius, movable installation | 50 mm |
| Number of bending cycles | 15000000 |
| Bending radius | 50 mm |
| Traversing path | 0.9 m |
| Traversing rate | 5 m/s |
| Acceleration | 30 m/s ² |
| Torsion force | ± 360 °/m |
| Ambient temperature (operation) | -40 °C ... 90 °C (cable, fixed installation) -30 °C ... 90 °C (cable, flexible installation) |
| Special properties | Sheath resistant to welding beads, can be recycled, matt, without adhesion, wear-resistant, flame resistant and self-extinguishing Free from silicone and cadmium Free of substances which would hinder coating with paint or varnish |
| Flame resistance | DIN VDE 0472 part 804, test type B IEC 60332-1 in accordance with FT1 as per UL 758 |
| Halogen-free | The cable is halogen-free |
| Resistance to oil | Excellent oil-resistance (as per DIN VDE 0250 T.407) |
| Other resistance | Highly resistant to acids, alkaline solutions and solvents |

Diagrams/Drawings

Dimensioned drawing

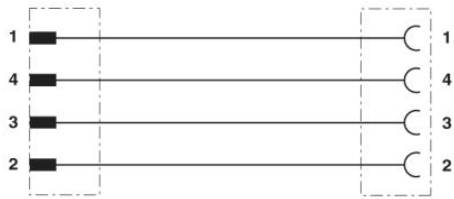


M12 x 1 male connector, straight



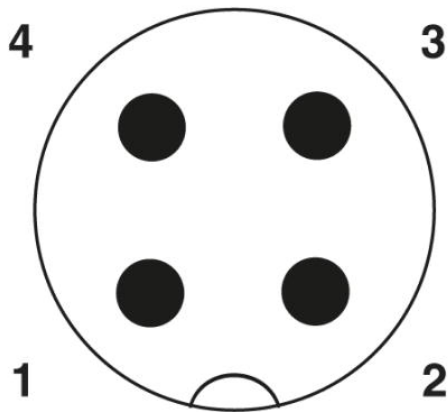
M12 x 1 female connector, angled

Circuit diagram

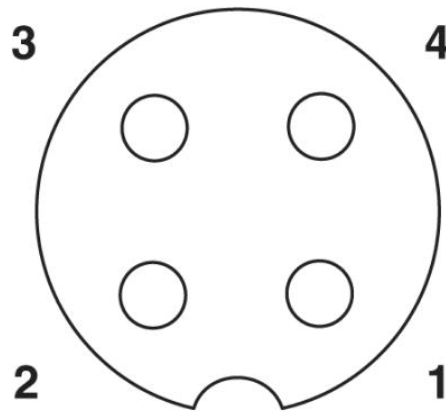


Contact assignment of the M12 plug and the M12 socket

Schematic diagram



Pin assignment M12 plug, 4-pos., A-coded, view plug side



Pin assignment M12 socket, 4-pos., A-coded, view female side

Address

PHOENIX CONTACT Inc., USA
586 Fulling Mill Road
Middletown, PA 17057, USA
Phone (800) 888-7388
Fax (717) 944-1625
<http://www.phoenixcon.com>



© 2011 Phoenix Contact
Technical modifications reserved;