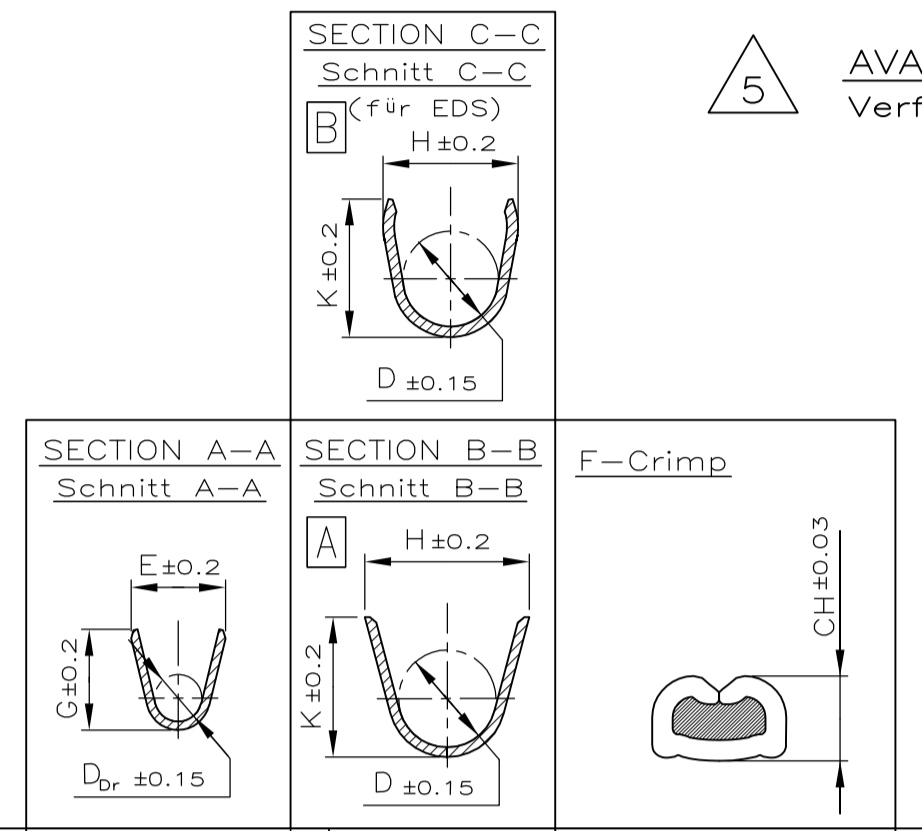


LOC	DIST	REVISIONS			
AI	-	MINOR	DESCRIPTION	DATE	DWN
			BESCHREIBUNG		APVD
PROJECT NR.	A6	REVISED PER	ECO-11-005150	21MAR11	RK HMR

REMARKS
Bemerkungen

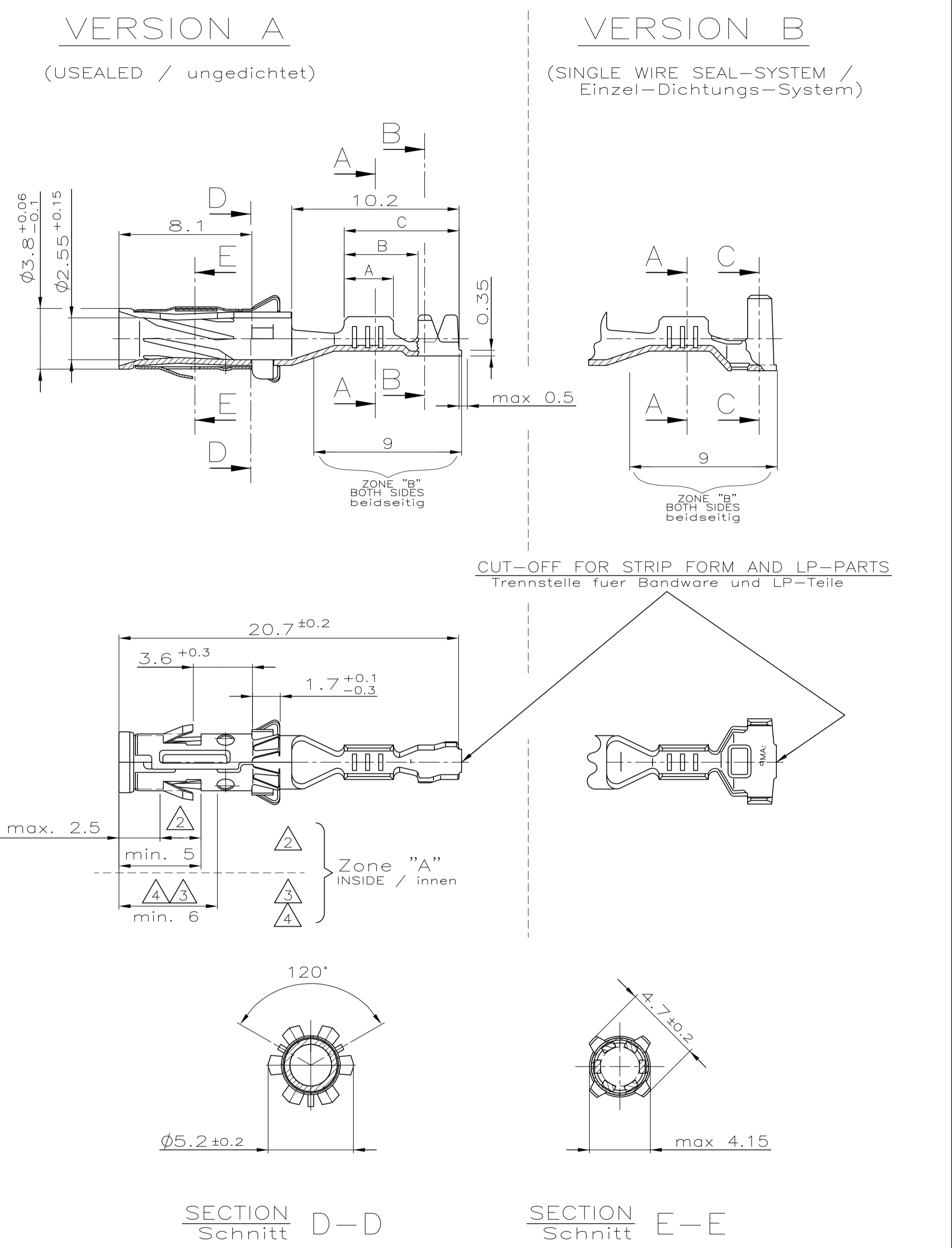
- 1 **PRE TINNED** 1-2µm
vorverzint
- 2 **ZONE "A":** MIN 0.8µm ELECTROPL. Au OVER MIN 1.3µm ELECTROPL. Ni LAYER
min 0.8µm galv. Au über min 1.3µm galv. Ni
ZONE "B": 1-2µm ELECTROPL. Sn OVER MIN 0.1µm ELECTROPL. Ni
1-2µm galv. Sn über min 0.1µm galv. Ni
REST: min 0.1µm ELECTROPL. Ni
min 0.1µm galv. Ni
- 3 **ZONE "A":** MIN 3µm ELECTROPL. Ag
min. 3µm galv. Ag
REST: 0.5µm ELECTROPL. Ag
0.5µm galv. Ag

- 4 **ZONE "A":** MIN 3µm ELECTROPL. Ag
min 3µm galv. Ag
ZONE "B": 1-3µm ELECTROPL. Sn
1-3µm galv. Sn
REST: SILVER OR TIN ALLOWED IN TRANSITION AREAS.OVERLAPPING LAYERS
AND PLAIN SURFACES ARE NOT ALLOWED.
Silber oder Zinn im Übergangsbereich erlaubt.
überlagernde Schichten oder blanke Stellen sind nicht erlaubt.
- 5 **AVAILABILITY MUST BE CHECKED BY TE CONNECTIVITY**
Verfügbarkeit ist von TE CONNECTIVITY zu prüfen



Version B (SINGLE WIRE SEAL-SYSTEM / Einzel-Dichtungs-System)	Part No.	Material	Surface	DGB [mm²]	WIRE CRIMP	INSUL.-CRIMP	WIRE CRIMP HEIGHT CH	APPLICATION TOOL	HAND TOOL	A	B	C	ORDER-Nr.	ORDER-Nr.
													SINGLE SEAL	DEAD END PLUG
FLR	1-929975-0	CuFe2	2	>1.0-2.5	E = 3.6	H = 5.0	2.5mm² = 1.97	MQC-Applicator	734289-2	4	6.9	8.5	828921-1	828922-1
	929975-9	CuNiSi	3	G = 3.8	K = 5.0	2.0mm² = 1.82	2-878486-2							
	929975-8	CuNiSi	2	Dcr = 1.7	D = 3.6	1.5mm² = 1.67								
	929975-7	CuNiSi	3											
	929975-4	CuFe2	1											
	929975-1	CuNiSi	1											
	1-929974-4	CuNiSi	4											
	1-929974-0	CuFe2	2											
	929974-9	CuNiSi	3											
	929974-8	CuNiSi	2											
FLR	929974-7	CuNiSi	3	0.5-1.0	E = 2.6	H = 4.8	1.0mm² = 1.45	MQC-Applicator	734289-1	3	5.4	7	828920-1	828922-1
	929974-4	CuFe2	1	G = 2.8	K = 4.8	0.75mm² = 1.36	2-878485-2							
	929974-7	CuNiSi	3	Dcr = 1.1	D = 3.2	0.5mm² = 1.27								
	929974-4	CuFe2	1											
	929974-1	CuNiSi	1											
	1-929973-0	CuFe2	2											
	929973-9	CuNiSi	3	0.2-0.4	E = 2.1	H = 4.5	-	MQC-Applicator	734289-1	3	5.4	7	828920-1	828922-1
	929973-8	CuNiSi	2	G = 2.1	K = 4.5	0.35mm² = 1.11	2-878484-2							
	929973-7	CuNiSi	3	Dcr = 0.8	D = 3.2	-								
	929973-4	CuFe2	1											

Version A (UNSEALED / ungedichtet)	Part No.	Material	Surface	DGB [mm²]	WIRE CRIMP	INSUL.-CRIMP	WIRE CRIMP HEIGHT CH	APPLICATION TOOL	HAND TOOL	A	B	C	ORDER-Nr.	ORDER-Nr.
													SINGLE SEAL	DEAD END PLUG
FLR	1-929972-0	CuFe2	2	>2.5-4.0	E = 4.3	H = 5.4	4.0mm² = 2.30	MQC-Applicator	734285-3	4	5.5	8.5		
	929972-9	CuNiSi	3	G = 4.5	K = 5.6	3.0mm² = 2.05	2-878483-2							
	929972-8	CuNiSi	2	Dcr = 2.4	D = 3.2									
	929972-7	CuNiSi	3											
	929972-4	CuFe2	1											
	929972-1	CuNiSi	1											
	1-929971-0	CuFe2	2											
	929971-9	CuNiSi	3	>1.0-2.5	E = 3.6	H = 4.3	2.5mm² = 1.97	MQC-Applicator	734285-2	4	5.5	8.5		
	929971-8	CuNiSi	2	G = 3.8	K = 4.5	2.0mm² = 1.82	2-878482-2							
	929971-7	CuNiSi	3	Dcr = 1.7	D = 2.6	1.5mm² = 1.67								
FLR	929971-4	CuFe2	1											
	929971-1	CuNiSi	1											
	1-929970-0	CuFe2	2											
	929970-9	CuNiSi	3	>0.5-1.0	E = 2.6	H = 3.2	1.0mm² = 1.45	MQC-Applicator	734285-1	3	4.5	7		
	929970-8	CuNiSi	2	G = 2.8	K = 3.4	0.75mm² = 1.36	2-878481-2							
	929970-7	CuNiSi	3	Dcr = 1.1	D = 1.8	0.5mm² = 1.27								
	929970-4	CuFe2	1											
	929970-1	CuNiSi	1											
	1-929969-0	CuFe2	2											
	929969-9	CuNiSi	3	0.2-0.4	E = 2.1	H = 2.5	0.35mm² = 1.11	MQC-Applicator	734285-1	3	4.5	7		
929969-8	CuNiSi	2	G = 2.1	K = 2.5	0.25mm² = 1.07	2-878480-2								
929969-7	CuNiSi	3	Dcr = 0.8	D = 1.4	0.2mm² = 1.05									
929969-4	CuFe2	1												
929969-1	CuNiSi	1												



ORDER-Nr.	ORDER-Nr.	MATERIAL	SURFACE	DGB [mm²]	WIRE CRIMP	INSUL.-CRIMP	WIRE CRIMP HEIGHT CH	APPLICATION TOOL	HAND TOOL	A	B	C	
STRIP FORM	LOOSE PIECE	Werkstoff	Oberfläche	[mm²]	Drahtcrimp	Isol.-Crimp	Drahtcrimp-Höhe CH	Anschlag-WKZ	Handzange				
					CRIMP DIMENSION (mm) Crimpabmessungen (mm)			EXTRACTION TOOL Ausdruckwerkzeug Nr.: 872070-1					

THIS DRAWING IS A CONTROLLED DOCUMENT. DIESE ZEICHNUNG IST EIN KONTROLLIERTES DOKUMENT.		DIN C. Goeltz 25-JUN-2001	STE TE Connectivity	
DIMENSIONS: DIMENSIONEN mm		CIK J. Granzow 25-JUN-2001	NAME	
TOLERANCES UNLESS OTHERWISE SPECIFIED: ALLE TOLERANZEN UNLESS OTHERWISE SPECIFIED: 0-FRE ± 0.15 mm 1-PL ± - 2-PL ± - 3-PL ± - 4-PL ± - ANGLES / WINKEL ± 1° FINISH / OBERFLÄCHE/FARBE SEE TABLE		APVD	PRODUCT SPEC 108-18027 APPLICATION SPEC 114-18020	
MATERIAL SEE TABLE		SIZE A1	CAGE CODE 00779	DRAWING NO. 1355065
		CUSTOMER DRAWING / KUNDENZEICHNUNG		RESTRICTED TO SURFAC
		SCALE 5:1	SHEET 1	OF 1